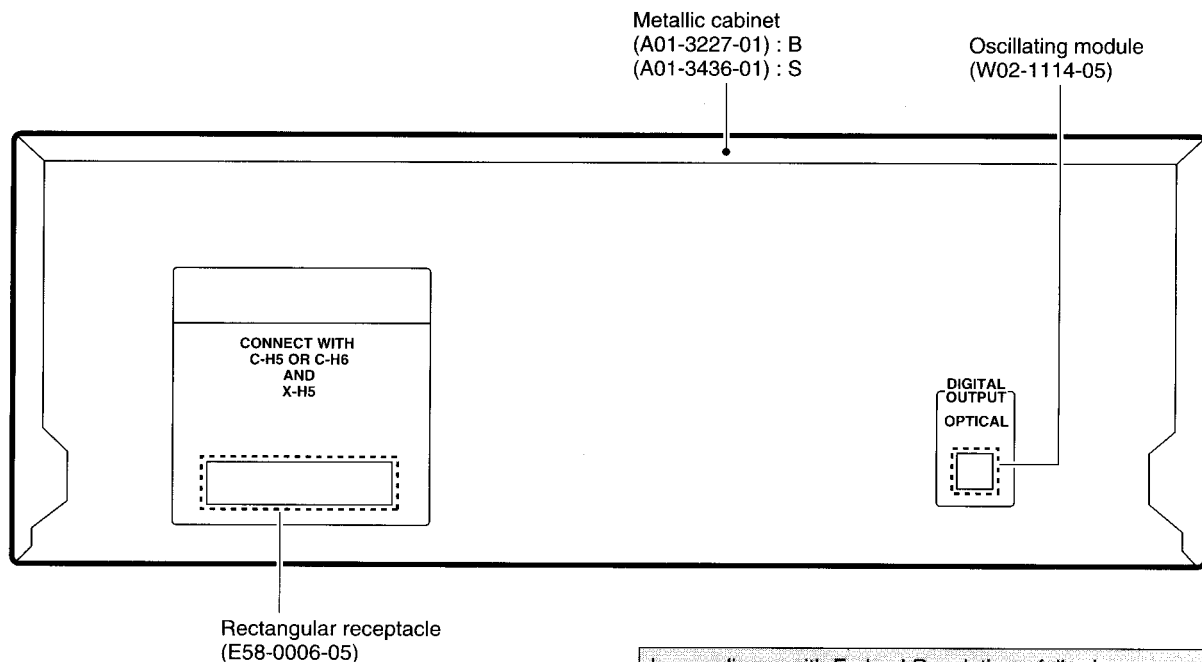
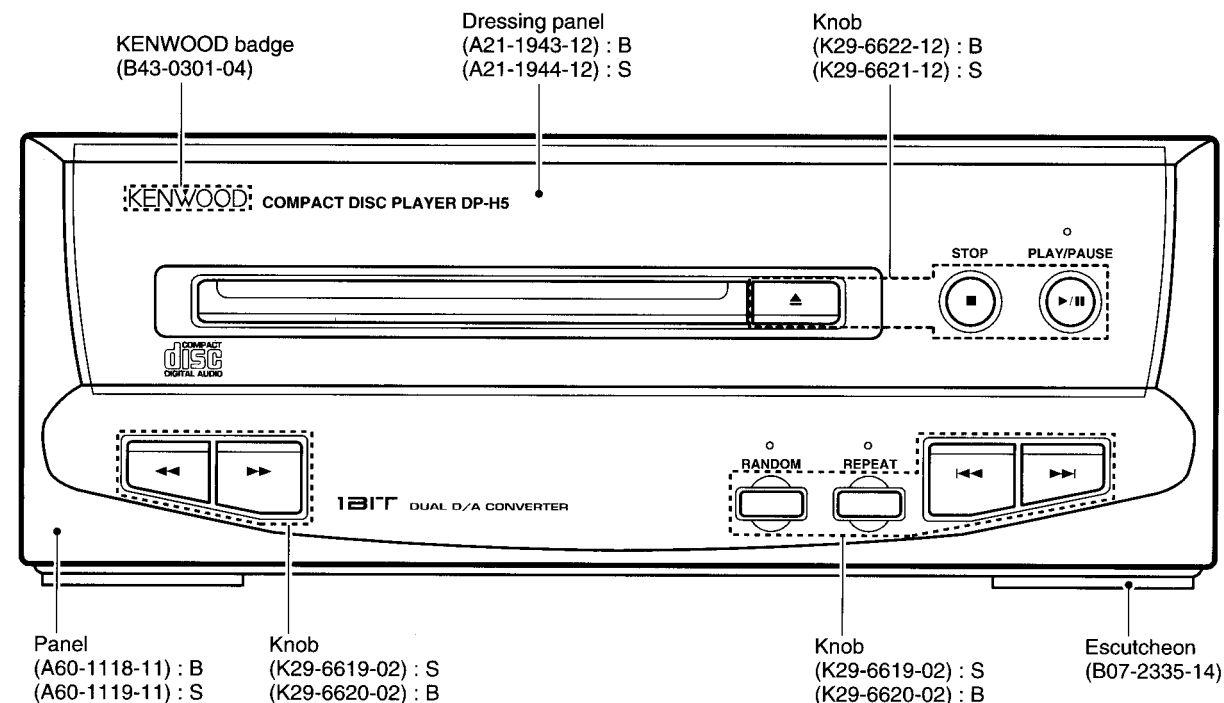


DP-H5

SERVICE MANUAL

© 1997-4/B51-5301-00 (K/K) 2578



B : Black, S : Silver

PRECAUTIONS FOR REPAIR

DP-H5 does not have a power supply transformer. Use A-H5 and controller (C-H series), or PS-94UA power supply power.

In compliance with Federal Regulations, following are reproductions of labels on, or inside the product relating to laser product safety.

KENWOOD-Corp. certifies this equipment conforms to DHHS Regulations No. 21 CFR 1040. 10, Chapter 1, Subchapter J.

DANGER : Laser radiation when open and interlock defeated. AVOID DIRECT EXPOSURE TO BEAM.

DP-H5

CONTENTS / ACCESSORIES / CAUTIONS


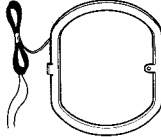
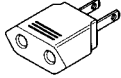
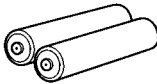
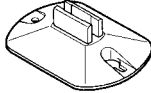
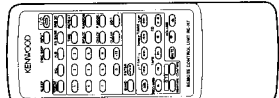


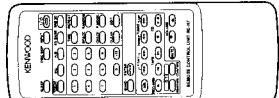
Contents

CONTENTS / ACCESSORIES / CAUTIONS.....	2	SCHEMATIC DIAGRAM	9
DISASSEMBLY FOR REPAIR / CONTROLS.....	3	EXPLODED VIEW	12
CIRCUIT DESCRIPTION	4	PARTS LIST.....	14
ADJUSTMENT	6	SPECIFICATIONS	Back cover
PC BOARD	7		

System configuration

SYSTEM	TUNER / EQUALIZER	AMPLIFIER	CASSETTE DECK	CD PLAYER	SPEAKER	MD RECORDER
XD-6060	C-H51	A-H5	X-H5	DP-H5	LS-H6	-
XD-6500	C-H5	A-H5	X-H5	DP-MH5	LS-H5	-
XD-6560	C-H51	A-H5	X-H5	DP-MH5	LS-H6	-
XD-8000	C-H6	A-H5	X-H5	DP-H5	LS-H6	-
XD-8550	C-H6	A-H5	X-H5	DP-MH5	LS-H6	-
XD-8560	C-H61	A-H5	X-H5	DP-MH5	LS-H6	-
XD-6000/W	C-H5/W	A-H5	X-H5	DP-H5	LS-H5	-
XD-6050/W	C-H5/W	A-H5	X-H5	DP-H5	LS-H5	-
XD-6550/W	C-H5/W	A-H5	X-H5	DP-MH5	LS-H5	-
XD-8050/W	C-H6/W	A-H5	X-H5	DP-H5	LS-H6	-
XD-8500/W	C-H6	A-H5	X-H5	DP-MH5	LS-H6	-
XD-9580MD	C-H7	A-H5	-	DP-MH5	LS-H6	DM-H5

Accessories

<p>FM indoor antenna(1) (T90-0801-05) : K,M type (T90-0809-05) : T,E type</p> 	<p>AM loop antenna(1) (T90-0820-05)</p> 	<p>AC plug adaptor.....(2) (E03-0115-08)</p> 
<p>Batteries (R6/AA).....(2)</p> 	<p>Loop antenna stand (1) (J19-3645-05)</p> 	<p>Remote control unit(1) (A70-1110-05) : K,M type (A70-1121-05) : T,E type</p> 
	<p>Speaker cords(2) (E30-5156-05)</p> 	<p>Parallel cord.....(1) (E30-2738-05)</p> 
		<p>Battery cover (A09-0380-08)</p> 

Cautions

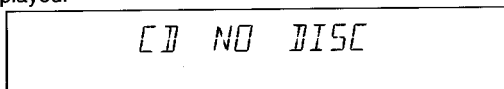
Note related to transportation and movement (CD player)

Before transporting or moving this unit, carry out the following operations.

1. Turn the power ON. Then press the OPEN/CLOSE(▲) key of the CD player and take out all CDs.

DP-MH5 : Ensure that no CD is loaded in any of the DISC1 to DISC6 trays by opening each of them.

2. Select the "CD" input and ensure that the following message is displayed.



3. Wait for a few seconds then turn power off.

Beware of condensation

When water vapor comes into contact with the surface of cold material, water drops are produced. If condensation occurs, correct operation may not be possible, or the unit may not function correctly. This is not a malfunction, however, and the unit should be dried. (To do this, turn the POWER switch ON and leave the unit for several hours.)

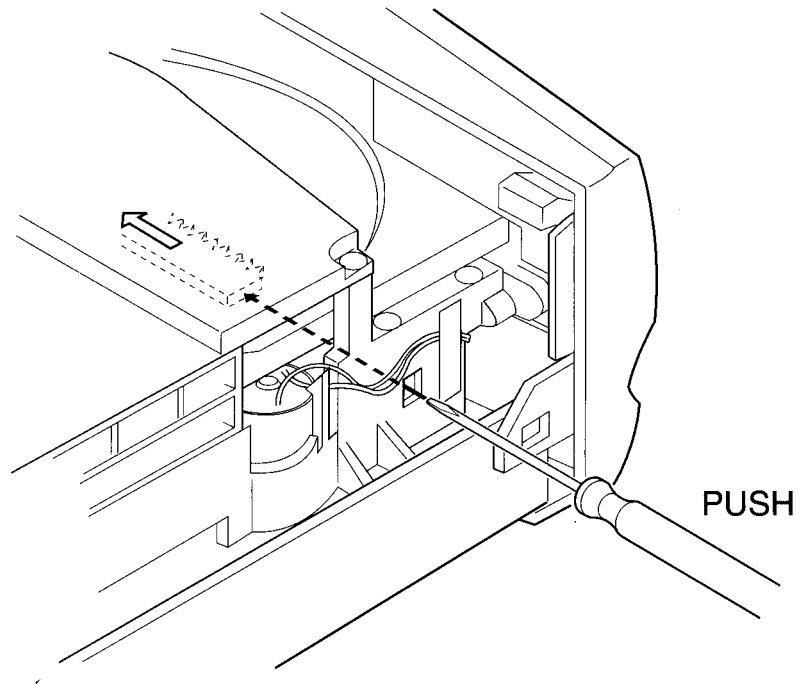
Be especially careful in the following conditions:

- When the unit is brought from a cold place to a warm place, and there is a large temperature difference.
- When a heater starts operating.
- When the unit is brought from an air-conditioned place to a place of high temperature with high humidity.
- When there is a large difference between the internal temperature of the unit and the ambient temperature, or in conditions where condensation occurs easily.

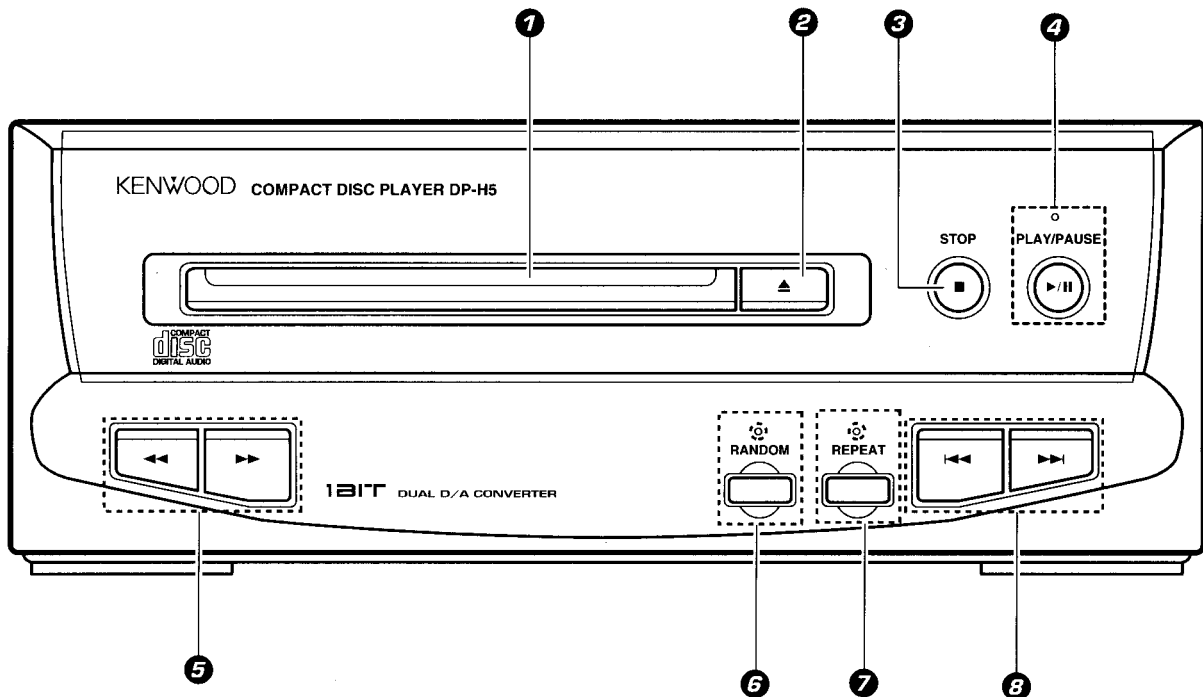
DISASSEMBLY FOR REPAIR / CONTROLS

How to remove the disc.

1. Remove the metallic cabinet before next step.
2. Insert and push the driver as figure.
3. Tray comes out.



Controls



1 Disc tray

2 Eject (▲) key

The disc tray is opened and closed.

3 STOP (■) key

4 PLAY / PAUSE (▶/||) Key / Indicator

The playback or pause functions are activated alternately every time the key is pressed.

5 Fast forward and fast reverse (◀◀ ▶▶) keys

Press to move the played position forward or backward.

6 RANDOM key / Indicator

Press to play tracks in a different order than the recorded order.

7 REPEAT key / Indicator

Press to start repeat playback.

8 Skip (◀◀ ▶▶) keys

Press to skip tracks to the beginning of the desired track.

CIRCUIT DESCRIPTION

1. Test mode

1-1 Setting the test mode

- The microprocessor built in the unit can be put to TEST MODE by just pressing the REPEAT key when set to power on.

1-2 Key vs Function in test mode

※ ON : LED LAMP TURN-ON, OFF : LED LAMP TURN-OFF, ON / OFF : LED LAMP FLASHING

PRESS KEY	LED LAMP			ACTION	REMARK
	REPEAT	RANDOM	PLAY		
AC-ON AND KEEP TO PRESS "REPEAT"	ON/OFF	OFF	OFF	DISC 1 TRAY SELF OPEN	SET THE TEST MODE
▶/ PLAY / PAUSE	ON/OFF	OFF	ON/OFF	DISC TRAY CLOSE & ↑ 03 MODE ↓ 05 MODE ↓	TE-BAL ALIGNMENT
			ON		FE/FG/TG ALIGNMENT
▶▶ FF	ON/OFF	OFF	OFF	PICK MANUAL FEED (IN TO OUT)	ONLY STOP MODE
◀◀ FB	ON/OFF	OFF	OFF	PICK MANUAL FEED (OUT TO IN)	ONLY STOP MODE
▶▶ UP	-	-	-	LED ALL ON ↔ LED ALL OFF	
▲ OPEN/CLOSE	ON/OFF	OFF	OFF	TRAY OPEN/CLOSE	
■ STOP	ON/OFF	OFF	OFF	STOP	
◀◀ DOWN	OFF	OFF	ON		ESCAPE FROM TEST MODE

CIRCUIT DESCRIPTION

2. Microprocessor uPD78013FGC540 (IC3)

Pin description

Pin no.	I/O	Port Name	Description
1	I/O	S.BUSY	Interface of serial busy signal.
2	I/O	S.DATA	Interface of serial data signal.
3	O	/LDC	Output port of laser signal (L : laser on)
4	I/O	FOK	No use
5	O	MON	Control port of poor focus works
6	O	/CLK	Output port of clock signal to CXD2529Q
7	O	/LATCH	Output port of latch signal to CXD2529Q
8	O	/DATA	Output port of data signal to CXD2529Q
9	-	GND	GND
10	I	/DEFEAT	Detection port of damaged disc (L : countermeasure)
11	I	SENCE	Input port of sence signal from CXD2529Q
12	I	/SLT SW	Input port of start limit switch mode (L : on)
13	I	/CLOSE SW	Input port of close switch mode (L : close)
14	I	/POS. SW	Detection port of tray position (L : on)
15	I	/OPEN SW	Input port of tray open switch (L : open)
16, 17	I	NC	No use
18	O	CLOSE MOTOR	Control port of tray motor (H : close)
19	O	OPEN MOTOR	Control port of tray motor (H : open)
20 ~ 23	O	NC	No use
24	-	GND	GND
25, 26	O	NC	No use
27	O	LED 1	Output port to LED 1 (STAGE)
28	O	LED 2	Output port to LED 2 (PLAY)
29	O	LED 3	Output port to LED 3 (RANDOM)
30	O	LED 4	Output port to LED 4 (REPEAT)
31 ~ 34	O	NC	No use
35	I	/RESET	Input port of reset
36	I	NC	No use
37	O	MUTE. G	Output port of digital mute (H : mute)
38	I	NC	No use
39	I	SCOR	Detection port of sub code frame synchro signal
40	-	+5V	Power supply (+5V)
41, 42	-	X1, 2	Input port of system clock
43	-	GND	GND
44, 45	-	NC	No use
46	-	GND	GND
47, 48	I	KEY 1, 0	Input port of key 0 and 1
49 ~ 54	O	NC	No use
55	-	Avdd	Power supply (+5V)
56	I	Avref	Power supply (+5v)
57 ~ 61	O	NC	No use
62	I	SUBQ	Input port of Q data
63	O	NC	No use
64	O	/S. CLK	Clock output port for Q data

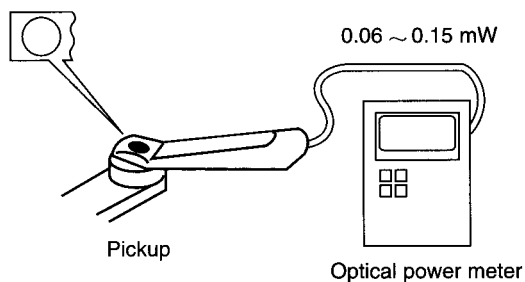
ADJUSTMENT

No.	ITEM	INPUT SETTINGS	OUTPUT SETTINGS	PLAYER SETTINGS	ALIGNMENT POINTS	ALIGN FOR	FIG.
1	LASER POWER	—	Apply the sensor section of optical power meter on the pickup lens.	While pressing the REPEAT key, turn the AC ON. (Test mode) Press the PLAY key, then confirm that the test mode is "03".	—	On the power from 0.06 to 0.15 mW (When the diffraction grating is correctly aligned with the RF level of 1.0 Vp-p or more and the TE (servo open) level of 0.6 Vp-p or more, the pickup is acceptable.)	(a)
2	TRACKING ERROR BALANCE	Test disc	Connect an oscilloscope as follows. CH1:RF (CN2 pin 1) CH2:TE (CN2 pin 6)	Set the unit to test mode. Load the test disc. Press the PLAY key, then confirm that the test mode is "03".	TE BALANCE VR2	Symmetry between upper and lower patterns DC=0±25mV	(c)
3	FOCUS ERROR BALANCE	Test disc Type 4	Connect an oscilloscope as follows. CH1:RF (CN2 pin 1) CH2:FE (CN2 pin 2)	Set the unit to test mode. Press the PLAY key, then confirm that the test mode is "05".	FE BALANCE VR1	Optimum eye pattern	(d)
4	TRACKING GAIN	Test disc Type 4 Apply signal of 1.2 kHz, 50mVrms to CN2 pin 5-6.	Connect a LPF to CN2 pin 5-6 to which you connect an oscilloscope or AC voltmeters.	Set the unit to test mode. Press the PLAY key, then confirm that the test mode is "05".	TRACKING GAIN VR3	Two VTVMs should read the same value.	(e)

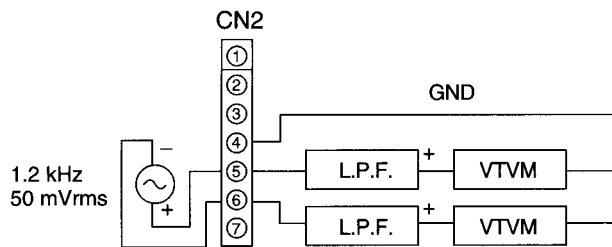
Note:
 Type 4 disc : SONY YEDS-18 Test Disc or equivalent.
 LPF: Around 47 kΩ+ 390 pF or so.
 Step 1~4 are in Test Mode.

	LED		
	REPEAT	RANDOM	PLAY
Test Mode 03	FLASH	OFF	FLASH
Test Mode 05	↑	↑	ON

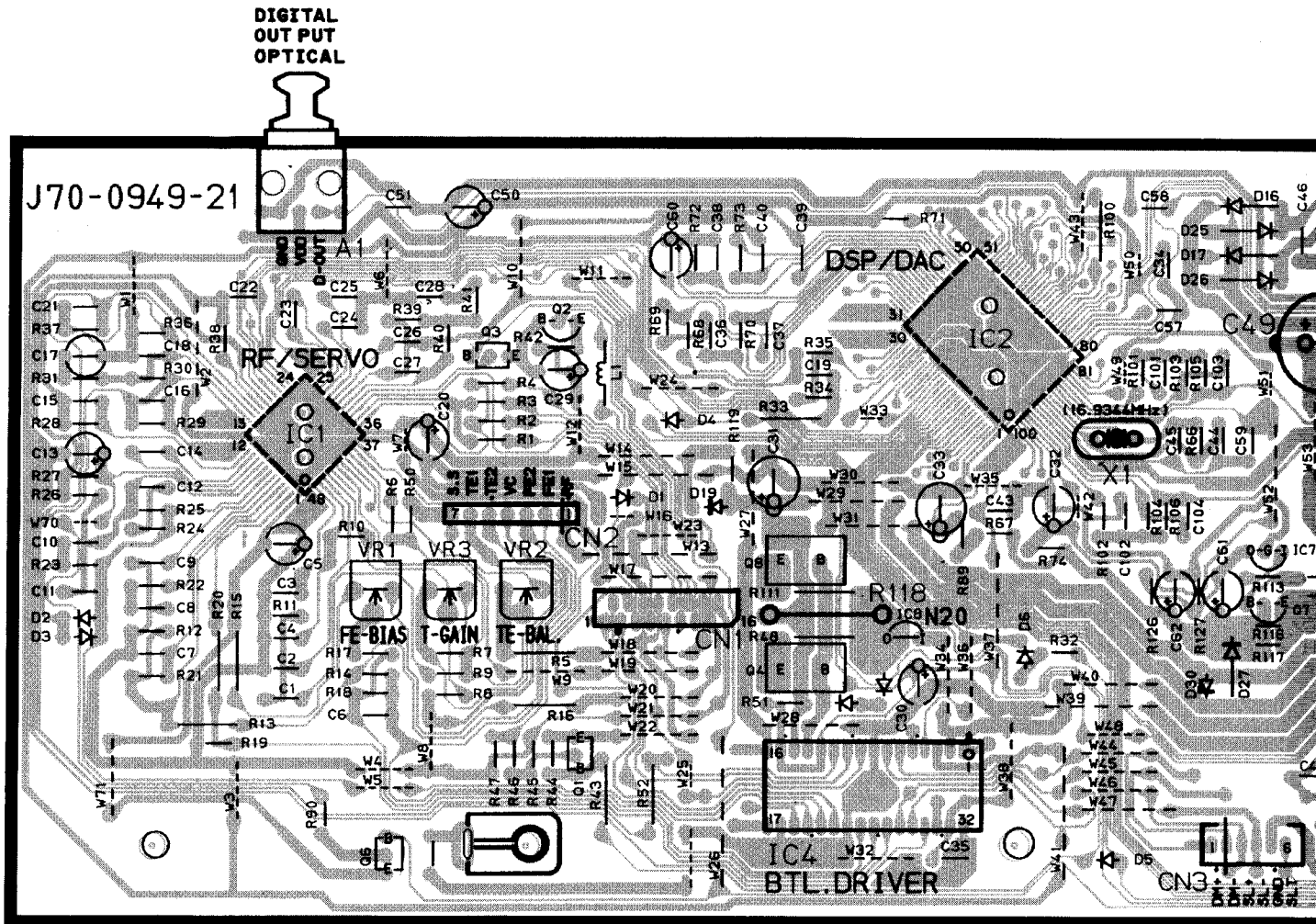
(a) Laser power



(e) Tracking gain

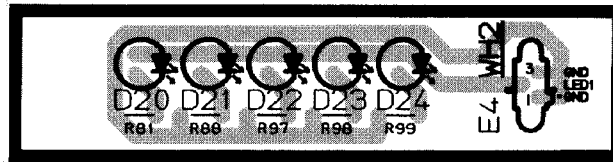


RD(Component side view)

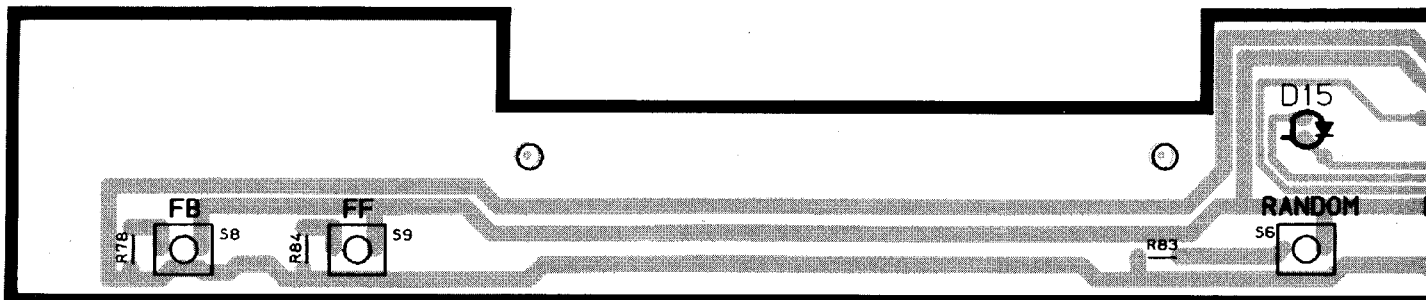


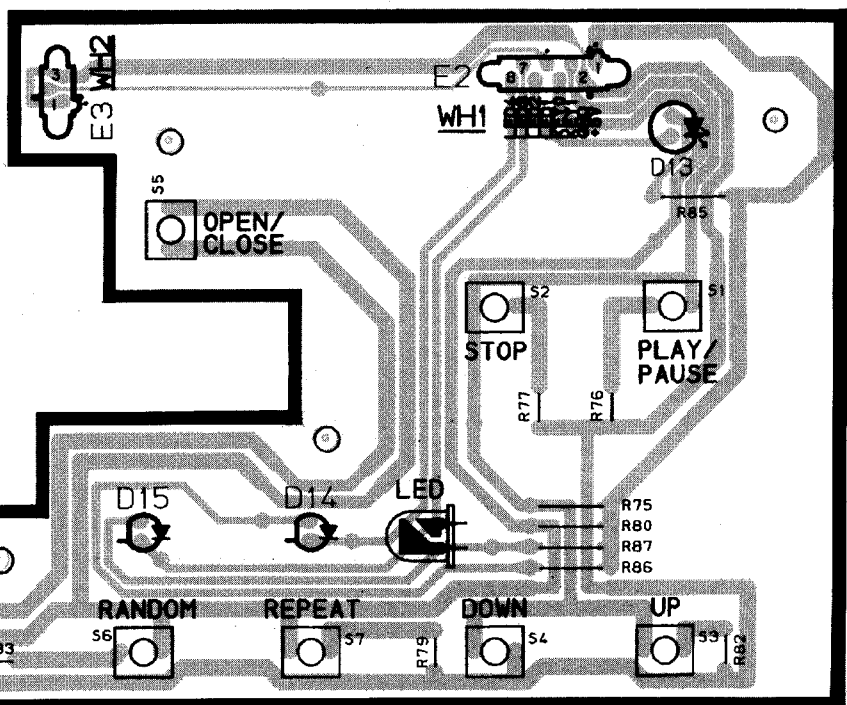
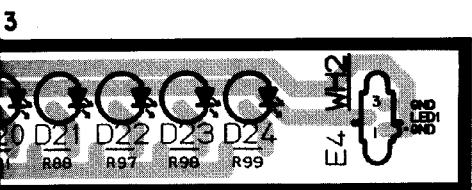
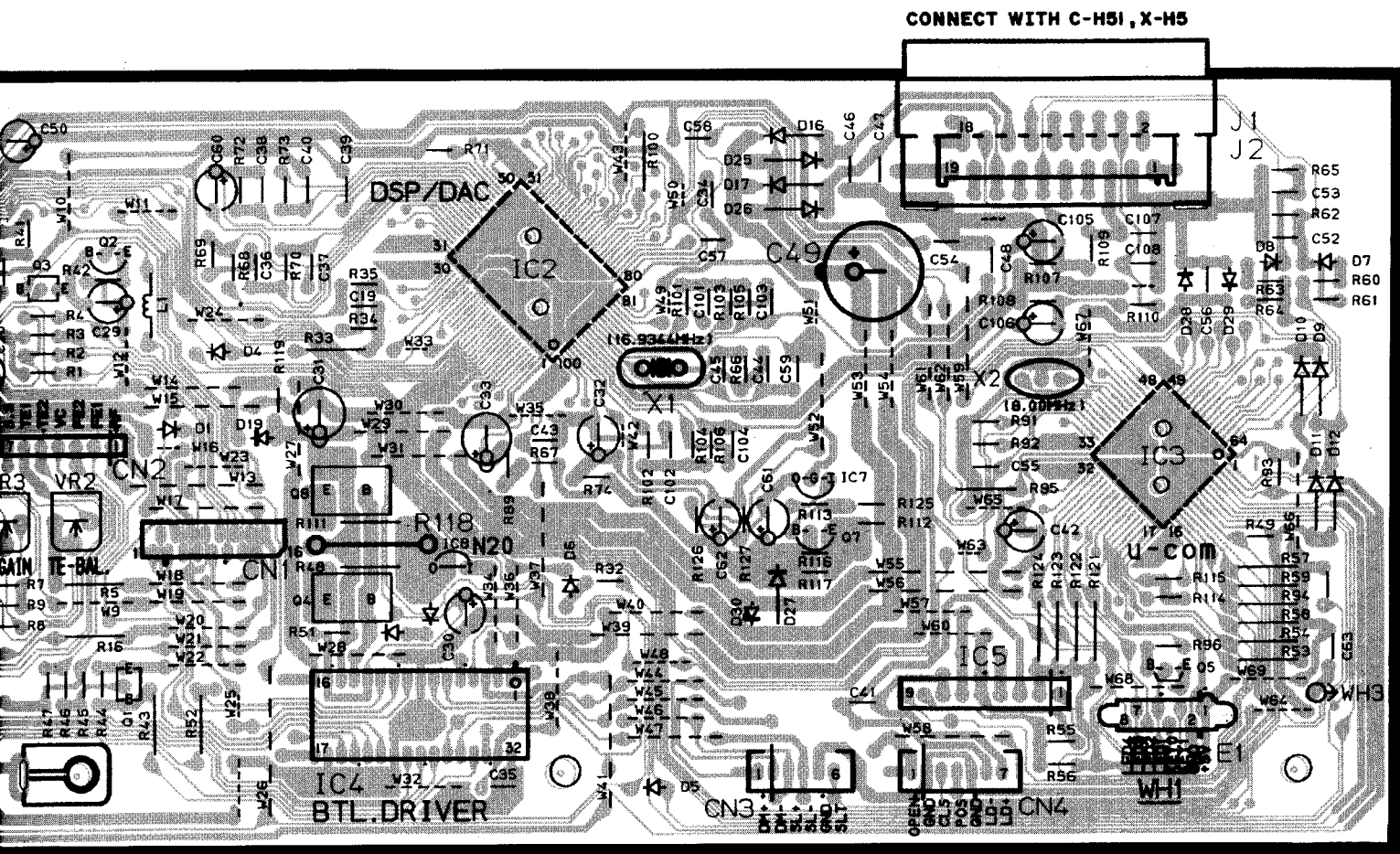
X32-3262-70 A / 3

X32 C / 3



X32 B / 3

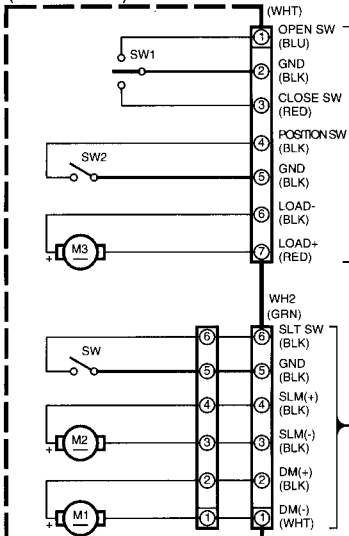




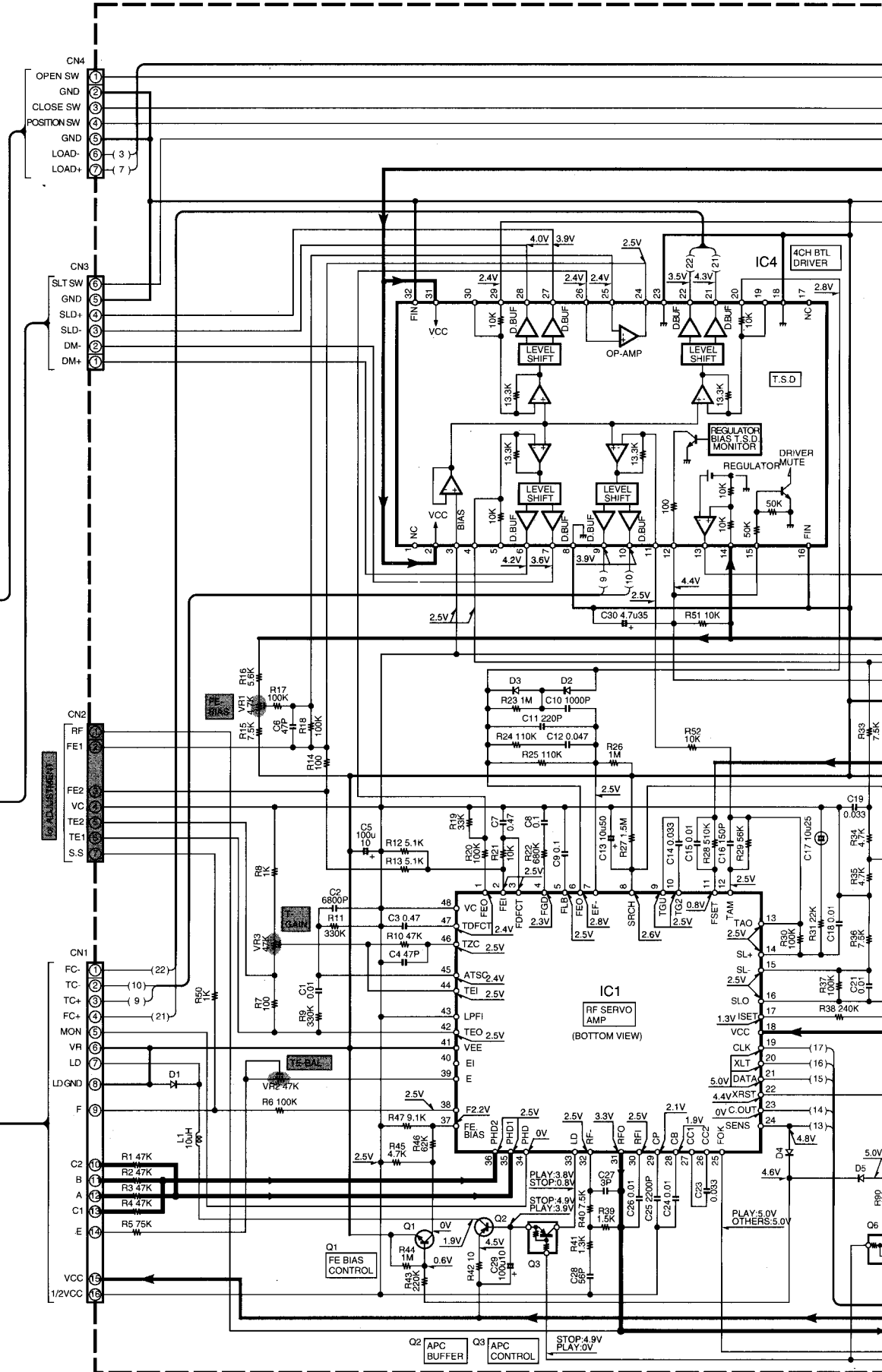
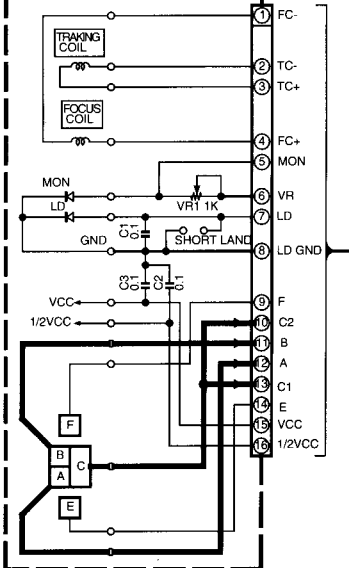
(X32-3262-70) (A/3)

- IC1 : CXA1782BQ
- IC2 : CXD2529Q
- IC3 : uPD78013FGC540
- IC4 : BA6198S
- IC5 : TA8409S
- IC7 : M5237L
- IC8 : ICP-N20
- Q1 : 2SC2785(F,E) or 2SC1740S(Q,R)
- Q2 : 2SA954(L,K)
- Q3 : DTA124ESA or UN4112
- Q4,8 : 2SB1640 or 2SB1417(P)
- Q5 : 2SA1048(Y,GR) or 2SA1309A(Q,R)
- Q6 : DTC124ESA or UN4212
- Q7 : 2SA1534A
- D1-12,19,27-29 : 1SS133 or HSS104
- D13,20-24 : B30-2494-05
- D14,15 : B30-2430-05
- D16,17,25,26 : S5688B or 1SR139-400
- D30 : UZ-6.8BS or MTZJ6.8

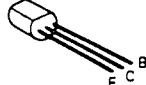
CD CHANGER MECHA.: CDM-30 (D40-1532-05)



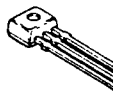
PICKUP ASS'Y: T25-0050-05



2SA1534A
2SA954



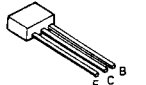
2SC2785



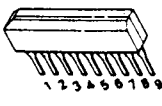
DTA124ESA
DTC124ESA
UN4112
2SA1048
2SC1740S

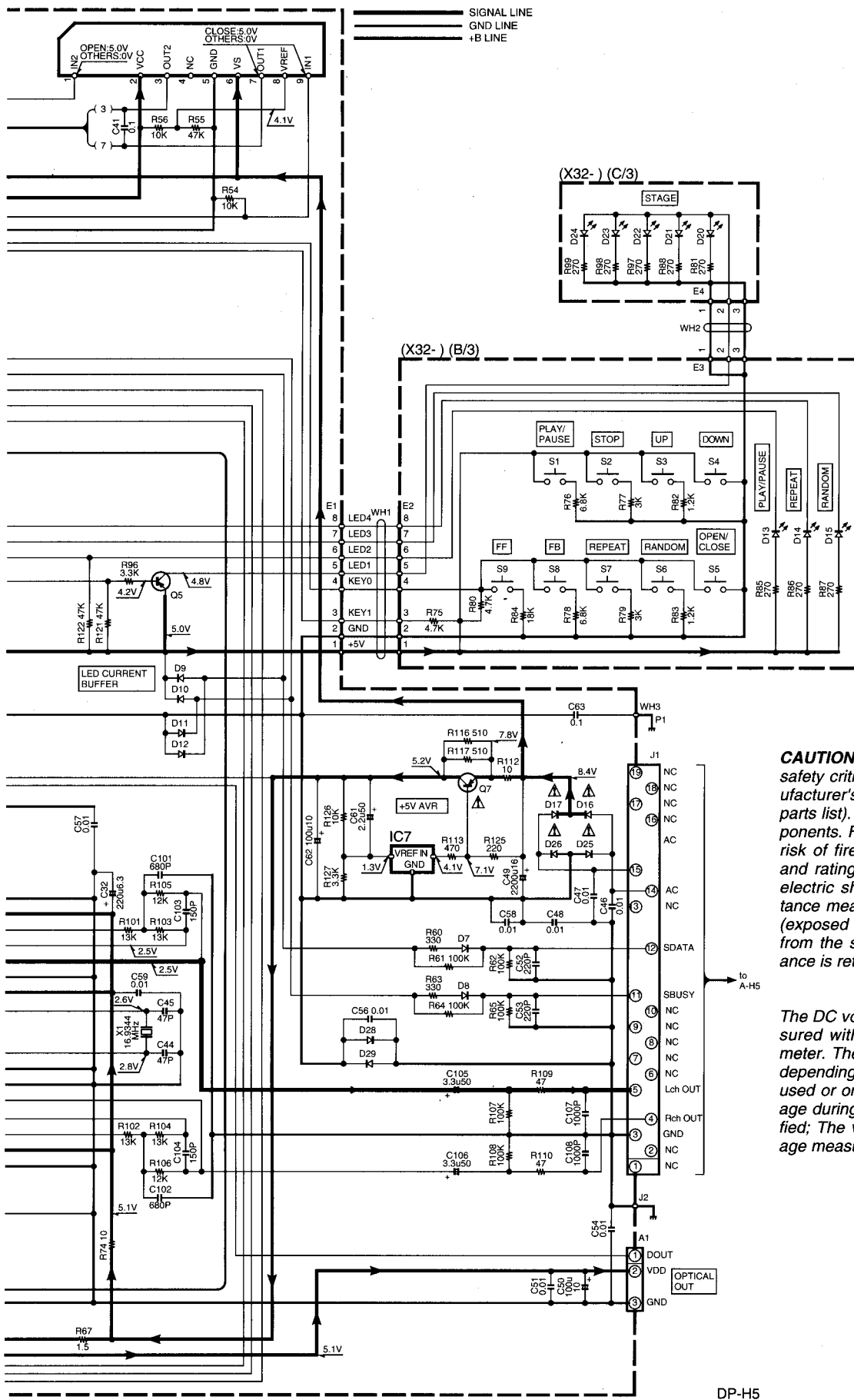


UN421276
2SA1309A



TA8409S





CAUTION: For continued safety, replace safety critical components only with manufacturer's recommended parts (refer to parts list). Δ indicates safety critical components. For continued protection against risk of fire, replace only with same type and rating fuse(s). To reduce the risk of electric shock, leakage-current or resistance measurements shall be carried out (exposed parts are acceptably insulated from the supply circuit) before the appliance is returned to the customer.

The DC voltage is an actual reading measured with a high impedance type voltmeter. The measurement value may vary depending on the measuring instruments used or on the product. Refer to the voltage during PLAY unless otherwise specified; The value shown in () is the voltage measured at the moment of STOP.

DP-H5

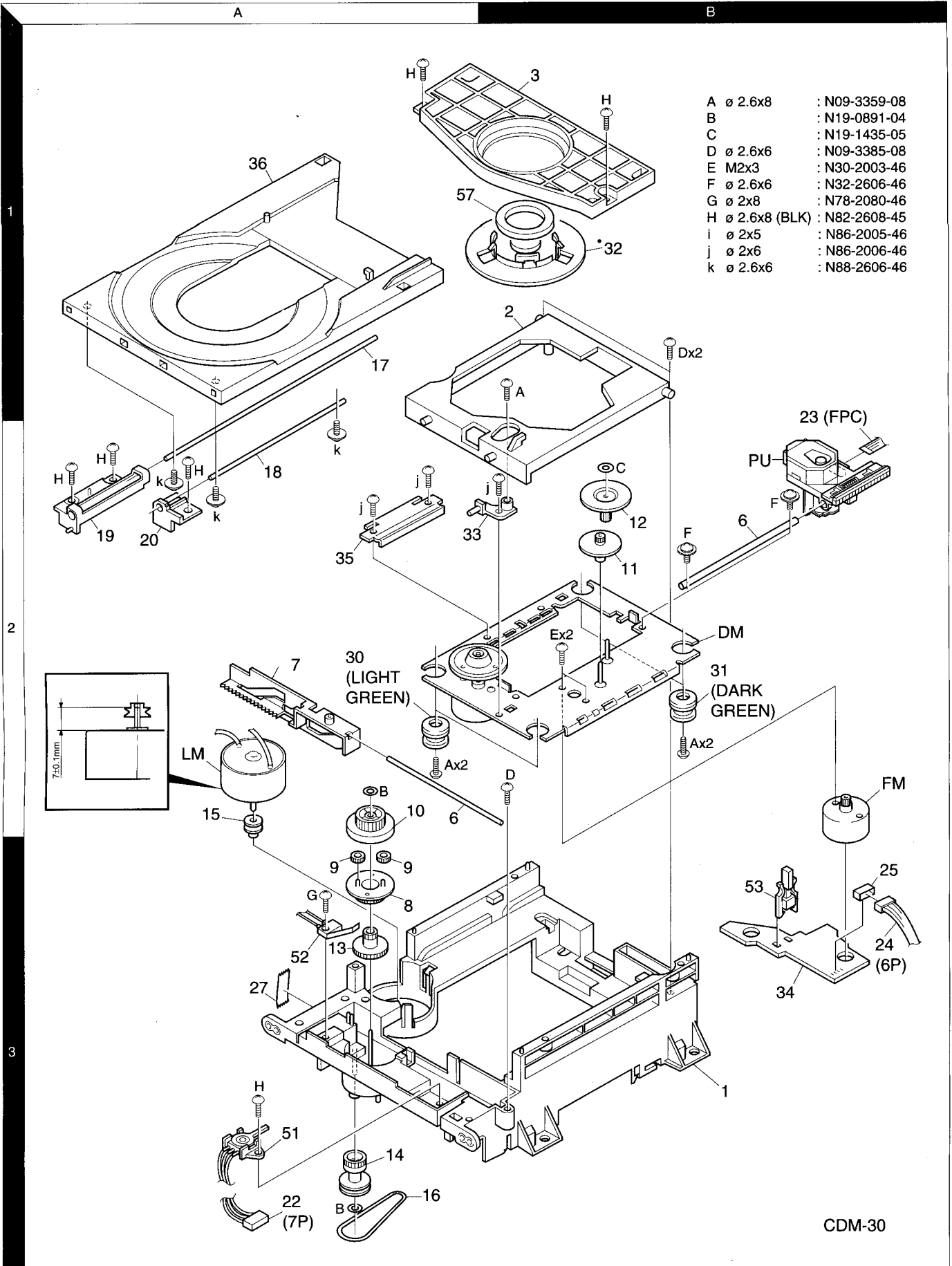
Y22-4952-70

DP-H5

KENWOOD

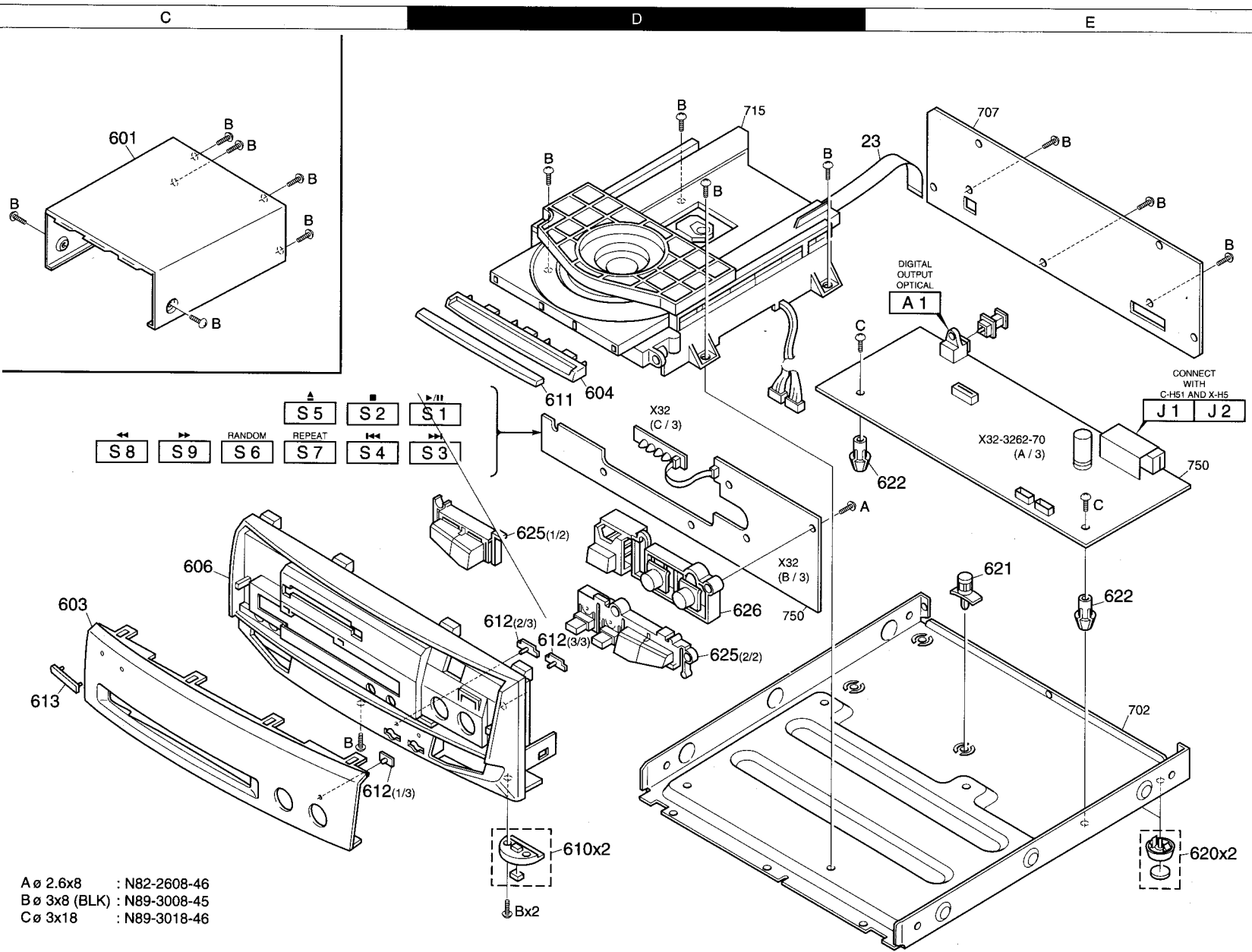
DP-H5

EXPLODED VIEW(MECHANISM)



EXPLODED VIEW(UNIT)

DP-H5



- A \varnothing 2.6x8 : N82-2608-46
- B \varnothing 3x8 (BLK) : N89-3008-45
- C \varnothing 3x18 : N89-3018-46

Parts with the exploded numbers larger than 700 are not supplied.

DP-H5

* New Parts
Parts without **Parts No.** are not supplied.
Les articles non mentionnés dans le **Parts No.** ne sont pas fournis.
Teile ohne **Parts No.** werden nicht geliefert.

①

Ref. No	Add-ress	New Parts	Parts No.	Description	Desti-nation	Re-marks
DP-H5						
601	1C		A01-3227-01	METALLIC CABINET(BLK)	EQT	
601	1C		A01-3436-01	METALLIC CABINET(SLV)	EQMIT	
603	2C	*	A21-1943-12	DRESSING PANEL (BLK)	EQT	
603	2C	*	A21-1944-12	DRESSING PANEL (SLV)	EQMIT	
604	1D	*	A29-0854-03	PANEL (BLK)	EQT	
604	1D	*	A29-0855-03	PANEL (SLV)	EQMIT	
606	2C	*	A60-1118-11	PANEL (BLK)	EQT	
606	2C	*	A60-1119-11	PANEL (SLV)	EQMIT	
610	2D	*	B07-2335-14	ESCUTCHEON (FOOT)		
611	1D	*	B07-2338-03	ESCUTCHEON		
612	2C,2D	*	B12-0305-14	INDICATOR		
613	2C	*	B43-0301-04	KENWOOD BADGE		
-		*	H10-7264-12	POLYSTYRENE FOAMED FIXTURE		
-		*	H10-7265-12	POLYSTYRENE FOAMED FIXTURE		
-		*	H20-0576-04	PROTECTION COVER	MI	
-		*	H25-0681-04	PROTECTION BAG	EQT	
-		*	H50-2352-04	ITEM CARTON CASE(SLV)	MI	
-		*	H50-2353-04	ITEM CARTON CASE(SLV)	EQT	
-		*	H50-2354-04	ITEM CARTON CASE(BLK)	EQT	
620	2E		J02-0366-15	FOOT		
621	2E		J19-2598-05	HOLDER		
622	1E,2E		J19-3751-04	UNIT HOLDER		
-			J61-0307-05	WIRE BAND		
625	2D	*	K29-6619-02	KNOB (SLV)	EQMIT	
625	2D	*	K29-6620-02	KNOB (BLK)	EQT	
626	2D	*	K29-6621-12	KNOB (SLV)	EQMIT	
626	2D	*	K29-6622-12	KNOB (BLK)	EQT	
CONTROL (X32-3262-70)						
D13			B30-2494-05	LED		
D14, 15			B30-2430-05	LED		
D20 -24			B30-2494-05	LED		
C1			CK45FF1H103ZMU	CERAMIC	0.010UF	Z
C2			CQ93FMG1H682J	MYLAR	6800PF	J
C3			CF92FV1H474J	MF-C	0.47UF	J
C4		*	CC45FSL1H470JM	CERAMIC	47PF	J
C5			CE04KW1A101M	ELECTRO	100UF	10WV
C6		*	CC45FSL1H470JM	CERAMIC	47PF	J
C7			CF92FV1H474J	MF-C	0.47UF	J
C8, 9			CQ93FMG1H104J	MYLAR	0.10UF	J
C10			CK45FB1H102KMU	CERAMIC	1000PF	K
C11			CC45FSL1H221JM	CERAMIC	220PF	J
C12		*	CK45FF1H473ZMU	CERAMIC	0.047UF	Z
C13			CE04KW1H100M	ELECTRO	10UF	50WV
C14			CQ93FMG1H333J	MYLAR	0.033UF	J
C15			CK45FF1H103ZMU	CERAMIC	0.010UF	Z
C16		*	CC45FSL1H151JM	CERAMIC	150PF	J
C17			CE04HW1E100M	NP-ELEC	10UF	25WV
C18			CK45FF1H103ZMU	CERAMIC	0.010UF	Z
C19			CQ93FMG1H333J	MYLAR	0.033UF	J
C20			CE04KW1A101M	ELECTRO	100UF	10WV
C21, 22			CK45FF1H103ZMU	CERAMIC	0.010UF	Z

L : Scandinavia K : USA P : Canada R : Mexico I : Malaysia
Y : PX(Far East, Hawaii) T : Europe E : Europe G : Germany
Y : AAFES(Europe) X : Australia M : Other Areas Q : Russia

⚠ indicates safety critical components.

* New Parts
Parts without **Parts No.** are not supplied.
Les articles non mentionnés dans le **Parts No.** ne sont pas fournis.
Teile ohne **Parts No.** werden nicht geliefert.

②

Ref. No	Add-ress	New Parts	Parts No.	Description	Desti-nation	Re-marks
C23			CQ93FMG1H333J	MYLAR	0.033UF	J
C24			CK45FF1H103ZMU	CERAMIC	0.010UF	Z
C25			CK45FB1H222KMU	CERAMIC	2200PF	K
C26			CK45FF1H103ZMU	CERAMIC	0.010UF	Z
C27		*	CC45FSL1H030CM	CERAMIC	3.0PF	C
C28			CC45FSL1H560JM	CERAMIC	56PF	J
C29			CE04KW1A101M	ELECTRO	100UF	10WV
C30			CE04KW1V4R7M	ELECTRO	4.7UF	35WV
C31			CE04KW0J331M	ELECTRO	330UF	6.3WV
C32			CE04KW0J221M	ELECTRO	220UF	6.3WV
C33			CE04KW0J331M	ELECTRO	330UF	6.3WV
C34, 35			CK45FF1H103ZMU	CERAMIC	0.010UF	Z
C36		*	CK45FF1H473ZMU	CERAMIC	0.047UF	Z
C37			CK45FB1H152KMU	CERAMIC	1500PF	K
C38			CK45FF1H103ZMU	CERAMIC	0.010UF	Z
C39			CK45FB1H332K	CERAMIC	3300PF	K
C40			CF92FV1H474J	MF-C	0.47UF	J
C41			CQ93FMG1H104J	MYLAR	0.10UF	J
C42			CE04KW1A101M	ELECTRO	100UF	10WV
C43			CK45FF1H103ZMU	CERAMIC	0.010UF	Z
C44, 45			CC45FCH1H470J	CERAMIC	47PF	J
C46 -48			CK45FF1H103ZMU	CERAMIC	0.010UF	Z
C49			CE04KW1C222M	ELECTRO	2200UF	16WV
C50			CE04KW1A101M	ELECTRO	100UF	10WV
C51			CK45FF1H103ZMU	CERAMIC	0.010UF	Z
C52, 53			CC45FSL1H221JM	CERAMIC	220PF	J
C54 -59			CK45FF1H103ZMU	CERAMIC	0.010UF	Z
C60			CE04KW1C220M	ELECTRO	22UF	16WV
C61			CE04KW1H2R2M	ELECTRO	2.2UF	50WV
C62			CE04KW1A101M	ELECTRO	100UF	10WV
C63			CQ93FMG1H104J	MYLAR	0.10UF	J
C101, 102		*	CK45FB1H681KMU	CERAMIC	680PF	K
C103, 104		*	CC45FSL1H151JM	CERAMIC	150PF	J
C105, 106			CE04KW1H3R3M	ELECTRO	3.3UF	50WV
C107, 108			CK45FB1H102KMU	CERAMIC	1000PF	K
CN1			E40-8037-05	FLAT CABLE CONNECTOR		
CN2			E40-4876-05	PIN ASSY		
CN3			E40-3250-05	PIN ASSY		
CN4			E40-3251-05	PIN ASSY		
J1			E58-0006-05	RECTANGULAR RECEPTACLE		
L1			L40-1001-17	SMALL FIXED INDUCTOR(10UH,K)		
X1			L77-2190-05	CRYSTAL RESONATOR(16.9344MHZ)		
X2			L78-0290-05	RESONATOR (8MHZ)		
△ R118			RS14KB3D561J	FL-PROOF RS 560 J 2W		
VR1			R12-1619-05	TRIMMING POT.(4.7K) FE BIAS		
VR2, 3			R12-3688-05	TRIMMING POT.(47K) T-GAIN/TE-BAL		
S1 -9			S70-0031-05	TACT SWITCH		
D1 -12			HSS104	DIODE		
D1 -12			1SS133	DIODE		
△ D16, 17			S5688B	DIODE		
△ D16, 17			1SR139-400	DIODE		
D19			HSS104	DIODE		
D19			1SS133	DIODE		

L : Scandinavia K : USA P : Canada R : Mexico
Y : PX(Far East, Hawaii) T : Europe E : Europe G : Germany
Y : AAFES(Europe) X : Australia M : Other Areas

⚠ indicates safety critical components.

* New Parts
 Parts without **Parts No.** are not supplied.
 Les articles non mentionnés dans le **Parts No.** ne sont pas fournis.
 Teile ohne **Parts No.** werden nicht geliefert.

3

Ref. No	Add-ress	New Parts	Parts No.	Description	Desti-nation	Re-marks
△ D25 .26			S5688B	DIODE		
△ D25 .26			1SR139-400	DIODE		
△ D27 -29			HSS104	DIODE		
△ D27 -29			1SS133	DIODE		
△ D30			MTZJ6.8	ZENER DIODE		
D30		*	UZ-6.8BS	ZENER DIODE		
IC1			CXA1782BQ	MOS-IC		
IC2			CXD2529Q	MOS-IC		
IC3		*	UPD78013FGC540	MI-COM IC		
IC4			BA6198S	ANALOGUE IC		
IC5			TA8409S	MOS-IC		
IC7			M5237L	ANALOGUE IC		
△ IC8			ICP-N20	ANALOGUE IC		
Q1			2SC1740S(Q,R)	TRANSISTOR		
Q1			2SC2785(F,E)	TRANSISTOR		
Q2			2SA954(L,K)	TRANSISTOR		
Q3			DTA124ESA	DIGITAL TRANSISTOR		
Q3			UN4112	DIGITAL TRANSISTOR		
△ Q4			2SB1417(P)	TRANSISTOR		
△ Q4			2SB1640	TRANSISTOR		
Q5			2SA1048(Y,GR)	TRANSISTOR		
Q5			2SA1309A(Q,R)	TRANSISTOR		
Q6			DTC124ESA	DIGITAL TRANSISTOR		
Q6			UN4212	DIGITAL TRANSISTOR		
△ Q7			2SA1534A	TRANSISTOR		
△ Q8			2SB1417(P)	TRANSISTOR		
△ Q8			2SB1640	TRANSISTOR		
A1			W02-1114-05	OSCILLATING MODULE		
MECHANISM (D40-1532-05)						
1		*	A10-3322-18	CHASSIS ASSY		
2	3B	*	A11-1111-08	SUB CHASSIS		
3	1B	*	A11-1112-08	SUB CHASSIS(CLAMPER)		
6	2A,2B		D10-3659-04	ROD(GUIDE)		
7	2A	*	D10-3683-08	SLIDER		
8	3A		D13-0977-03	GEAR(CARRIER)		
9	3A		D13-0978-03	GEAR(IDLER)		
10	2A		D13-0979-03	GEAR(MAIN)		
11	2B		D13-1763-04	GEAR(MIDDLE)		
12	2B		D13-1765-03	GEAR(DRIVE)		
13	3A	*	D13-1782-08	GEAR(CENTER)		
14	3A	*	D13-1783-08	GEAR(PULLEY)		
15	2A		D15-0295-04	MOTOR PULLEY		
16	3A	*	D16-0712-08	BELT		
17	1A	*	D21-1855-08	SHAFT(TRAY L)		
18	2A	*	D21-1856-08	SHAFT(TRAY R)		
19	2A	*	D23-0326-08	RETAINER(L)		
20	2A	*	D23-0327-08	RETAINER(R)		
22	2A	*	E35-1698-18	WIRE HARNESS (7P)		
23	1B	*	E35-1699-08	FLAT CABLE		
24	3B	*	E35-1753-08	WIRE HARNESS (6P)		
25	3B	*	E40-3264-05	CONNECTOR		
27	3A		G10-0146-04	NON WOVEN FABRIC		

L : Scandinavia K : USA P : Canada R : Mexico
 Y : PX(Far East, Hawaii) T : Europe E : Europe G : Germany
 Y : AAFES(Europe) X : Australia M : Other Areas

△ indicates safety critical components.

* New Parts
 Parts without **Parts No.** are not supplied.
 Les articles non mentionnés dans le **Parts No.** ne sont pas fournis.
 Teile ohne **Parts No.** werden nicht geliefert.

4

Ref. No	Add-ress	New Parts	Parts No.	Description	Desti-nation	Re-marks
30	2A	*	J02-1174-08	INSULATOR(LIGHT GREEN)		
31	2B	*	J02-1175-08	INSULATOR(DARK GREEN)		
32	1B	*	J11-0823-18	CLAMPER		
33	2A	*	J19-5765-08	BRACKET		
34	3B	*	J70-0939-01	PC BOARD		
35	2A		J90-0844-03	GUIDE(RAIL)		
36	1A	*	J99-0591-08	TRAY		
A		*	N09-3359-08	SCREW(2.6X8)		
D		*	N09-3385-08	SCREW(2.6X6)		
51	3A	*	S64-0026-05	LEVER SWITCH (OPEN/CLOSE)		
52	3A	*	S64-0027-08	LEVER SWITCH (SPEED DOWN)		
53	3B	*	S74-0065-05	LEAF SWITCH (START LIMIT)		
57	1A		T99-0544-15	MAGNET		
DM	2B		A11-1114-08	DISC MOTOR ASSY		
FM	2B		T42-0872-08	FEED MOTOR ASSY		
LM	2A		T42-0811-05	DC MOTOR		
PU	2B		T25-0050-05	PICKUP(KCP1H)		

L : Scandinavia K : USA P : Canada R : Mexico
 Y : PX(Far East, Hawaii) T : Europe E : Europe G : Germany
 Y : AAFES(Europe) X : Australia M : Other Areas

△ indicates safety critical components.

PARTS LIST

DP-H5

DP-H5

SPECIFICATIONS

[Format section]

LaserSemiconductor laser

[D/A converters section]

D/A conversion1 bit
Oversampling.....8 fs (352.8 kHz)

[Audio section]

Frequency response8 Hz ~ 20 kHz, ± 1.0 dB
Signal to noise ratioMore than 96 dB
Dynamic rangeMore than 90 dB
Total harmonic distortionLess than 0.008 % (at 1 kHz)
Channel separation.....More than 90 dB (at 1 kHz)
Wow & Flutter.....Unmeasurable Limit
Digital output
Optical.....-15 dBm ~ -21 dBm (wave length 660 nm)

[General]

DimensionsW : 270 mm (10-5 / 8")
H : 104 mm (4-1 / 8")
D : 326 mm (12-13 / 16")
Weight (net)2.3 kg (5.1lb)



1. KENWOOD follows a policy of continuous advancements in development. For this reason specifications may be changed without notice.
2. The full performance may not be exhibited in an extremely cold location (under a water freezing temperature)

Note:

Component and circuit are subject to modification to insure best operation under differing local conditions. This manual is based on Europe (E) standard, and provides information on regional circuit modification through use of alternate schematic diagrams, and information on regional component variations through use of parts list.

KENWOOD CORPORATION

14-6,Dogenzaka 1-chome, Shibuya-ku, Tokyo, 150 Japan

KENWOOD SERVICE CORPORATION

P.O BOX 22745, 2201 East Dominguez St., Long Beach, CA 90801-5745, U.S.A.

KENWOOD ELECTRONICS CANADA INC.

6070 Kestrel Road, Mississauga, Ontario, Canada L5T 1S8

KENWOOD ELECTRONICS LATIN AMERICA S.A.

P.O BOX 55-2791, Piso 6 plaza Chase, Cl. 47 y Aquilino de la Guardia Panama, Republic de Panama

KENWOOD ELECTRONICS U.K. LIMITED

KENWOOD House, Dwight Road, Watford, Herts., WD1 8EB., United Kingdom

KENWOOD ELECTRONICS BENELUX N.V.

Meachelsesteenweg 418, B-1930 Zaventem, Belgium

KENWOOD ELECTRONICS DEUTSCHLAND GMBH

Rembrücker Str. 15, 63150 Heusenstamm, Germany

KENWOOD ELECTRONICS FRANCE S.A.

13 Boulevard Ney, 75018 Paris, France

KENWOOD ELECTRONICS ITALIA S.p.A.

Via G. Sirtori, 7/9 20129, Milano, Italy

KENWOOD IBÉRICA S.A.

Bolivia, 239-08020 Barcelona, Spain

KENWOOD ELECTRONICS AUSTRALIA PTY. LTD.

(A.C.N. 001499 074)

P.O Box 504, 8 Figtree Drive, Australia Centre, Homebush, N.S.W. 2140, Australia

KENWOOD & LEE ELECTRONICS, LTD.

Unit 3712-3724, Level 37, Tower 1, Metroplaza, 223 Hing Fong Road, Kwai Fong N.T., Hong Kong

KENWOOD ELECTRONICS GULF FZE

P.O.Box 61318, Jebel Ali, Dubai, U.A.E.

KENWOOD ELECTRONICS SINGAPORE PTE LTD.

No. 1 Genting Lane #02-02, KENWOOD Building, Singapore, 349544

KENWOOD ELECTRONICS (MALAYSIA) SDN BHD.

#4,01 Level 4, Wisma Academy Lot 4A, Jalan 19/1 46300 Petaling Jaya Selangor Darul Ehsan Malaysia